

RESOURCE ENGINECH(I) PVT LTD.  
BARODA - 390010

O.C.NO:-8589

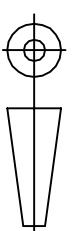
DRG.NO. :- LUCH-0

TITLE :- 3" LUG CHUCK

REF.:- FROM

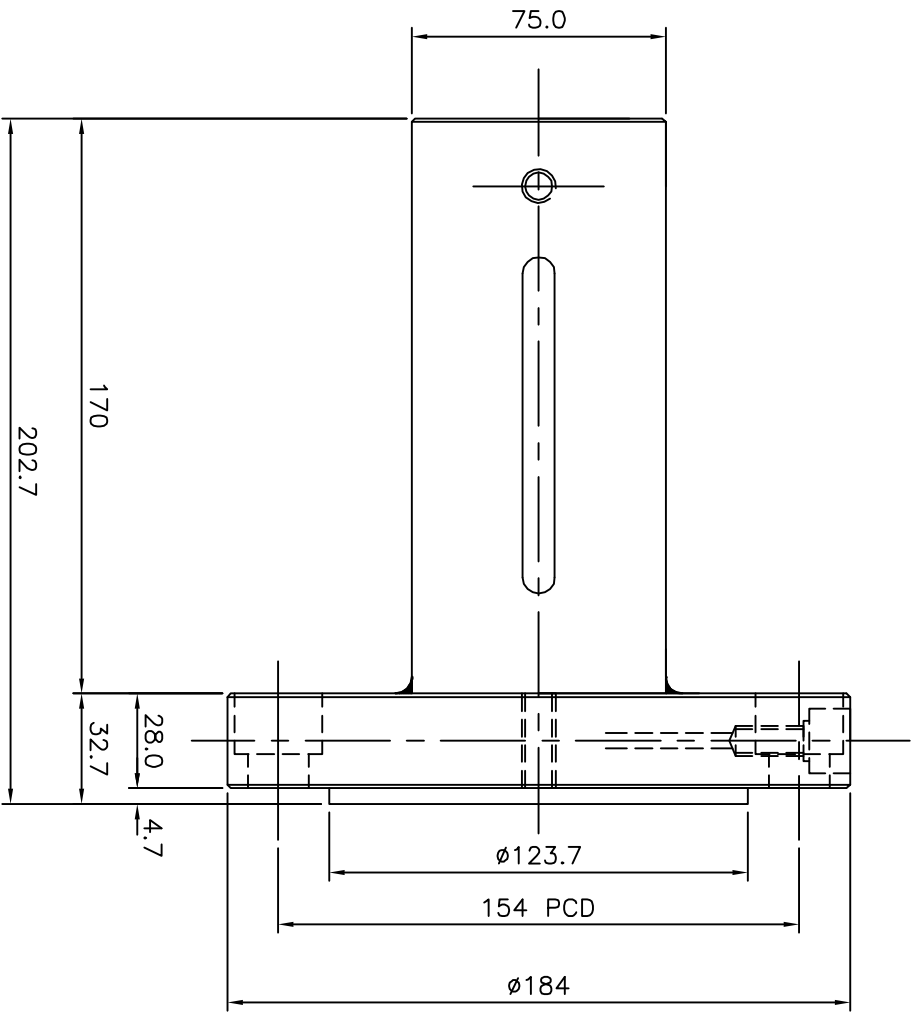
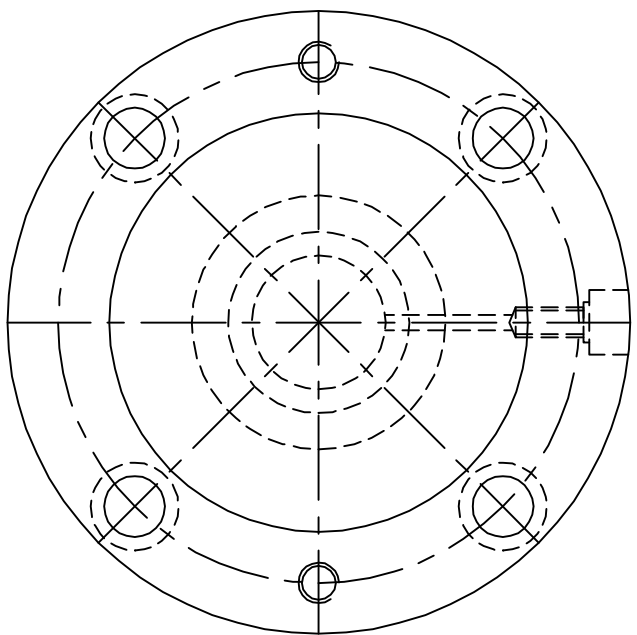
DT. 30/09/09

S 090930  
DRN./DT.



CHKD./DT.

SCALE  
N.T.S.



1			
REV.	DESCRIPTION	DATE	SIG.
GENERAL NOTES	REVISIONS	MACHINING DEVIATION WHERE NOT SPECIFIED	
1. ALL DIMENSIONS IN M.M.	MACHINING SYMBOLS	~ CSTG	▽ ROUGH
2. REMOVE SHARP CORNERS	LENGTH OR Ø	▽▽ FINE	▽▽▽ GRD.
3. IF IN DOUBT PLEASE ASK	TOLERANCE	Up To 50	100
		±0.5	±0.85
		±1.2	±2.0
		±3.2	±4.0