



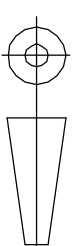
RESOURCE ENGINMECH (INDIA) PVT LTD.
BARODA - 390010, INDIA.

E MAIL :- into@resource.co.in.
FAX NO:- +91-265-2638048

CUSTOMER NAME :-

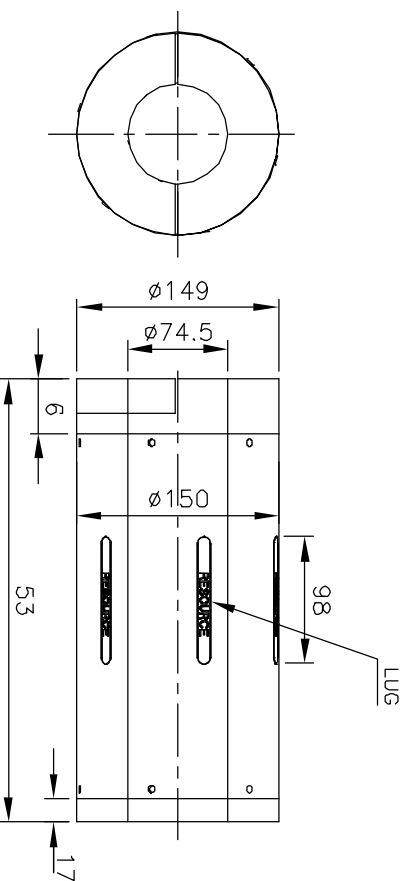
DATA SHEET NO:-1

ALL DIMENSION
IN MM

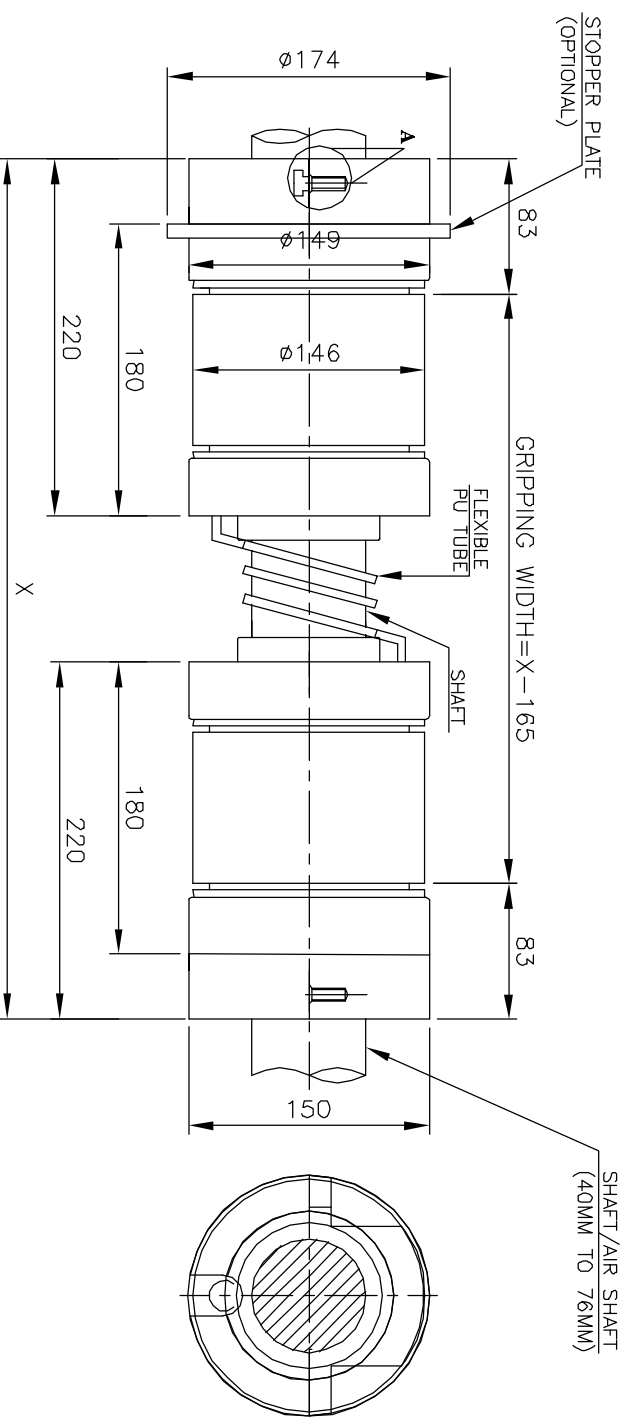


SCALE
N.T.S.

6" LUG CHUCK



6" AIR CHUCK



MAX BORE:- 76 MM
MIN BORE:- 40 MM
COLLAPSED:- 150 MM
EXPANDED:- 160 MM
REEL CARRYING CAP :- 650 KG/PAIR

BASIC CUSTOMER FEEDBACK

PRESENT GRIPPING WIDTH:-	CORE INNER DIAMETER:-
MACHINE NAME:-	COLLAPSED SHAFT DIAMETER:-
MAX GRIPPING WIDTH:-	EXPANDED SHAFT DIAMETER:-
MIN GRIPPING WIDTH:-	SPEED :-
LOAD :-	CORE MATERIAL :-

MAX BORE:- 60 MM
MIN BORE:- 40 MM
COLLAPSED:- 150 MM
EXPANDED:- 156 MM
REEL CARRYING CAP :- 850 KG/PAIR